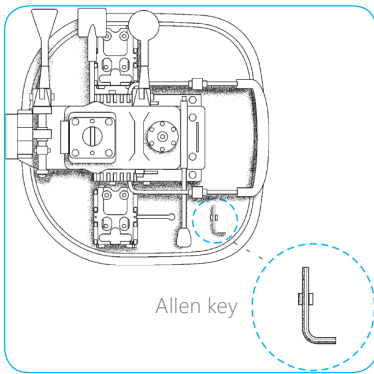
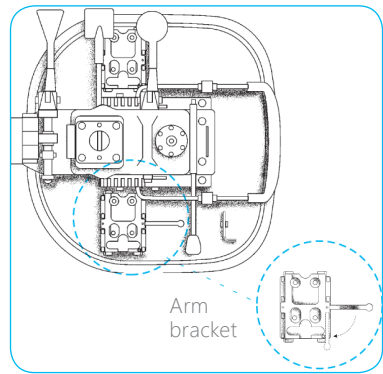


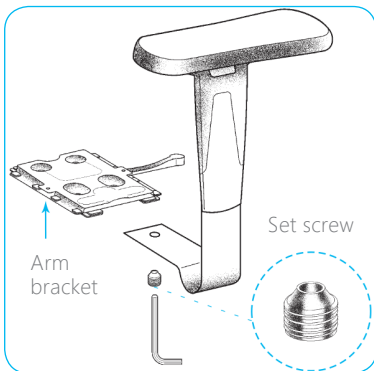
Arm Assembly with Width Adjustment System



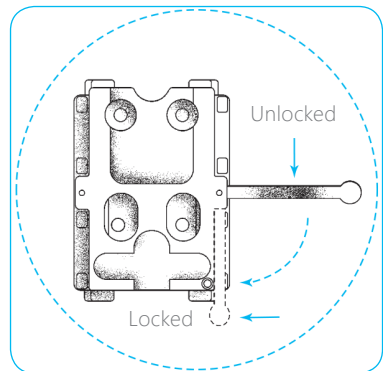
Locate Allen key under seat.



Locate arm width adjustment bracket affixed under seat. Move lever to unlocked position (see diagram 4).



Slide arm into the width bracket. Thread set screw into the hole located in the arm using the Allen key to tighten.



Place Allen key back in holder under the seat. Adjust arm to the desired width and lock bracket by moving lever to locked position.