

upCentric Mesh Cable Management | Installation Instructions

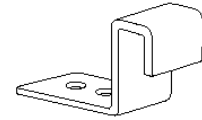
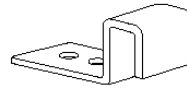
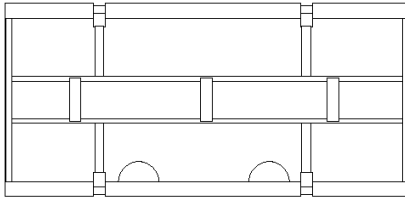
Parts

A (x1)

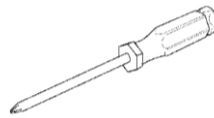
B (x8)

C (x2)

D (x2)

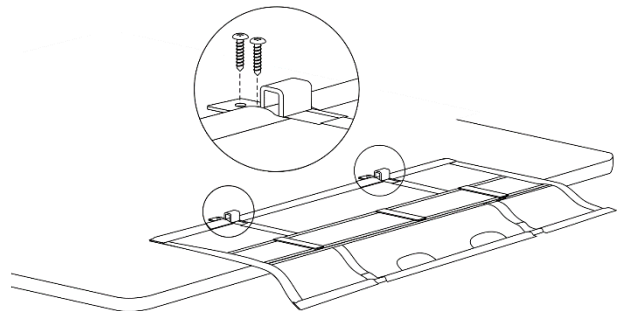
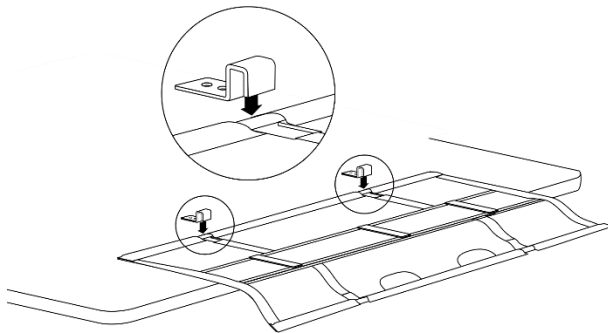


Tools Required: #2 Phillips head screwdriver

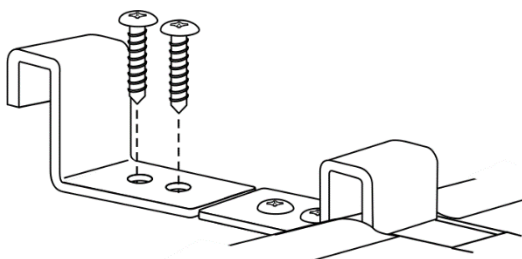


Installation instructions

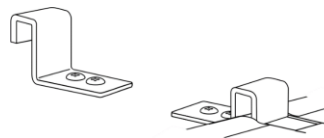
Step 1: Lay your upCentric Mesh Cable Management (**A**) on the surface you are attaching it to. Place your Fixed/Closed Brackets (**C**) on the work surface over top the exposed sections of aluminum rod. Fasten the brackets to the work surface using the Wood Screws (**B**).



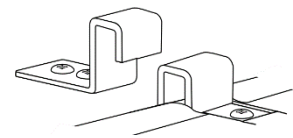
Step 2: Place your Open Brackets (**D**) on the work surface in line with the Fixed/Closed Brackets. Fasten the brackets to the work surface using Wood Screws (**B**).



Option 2



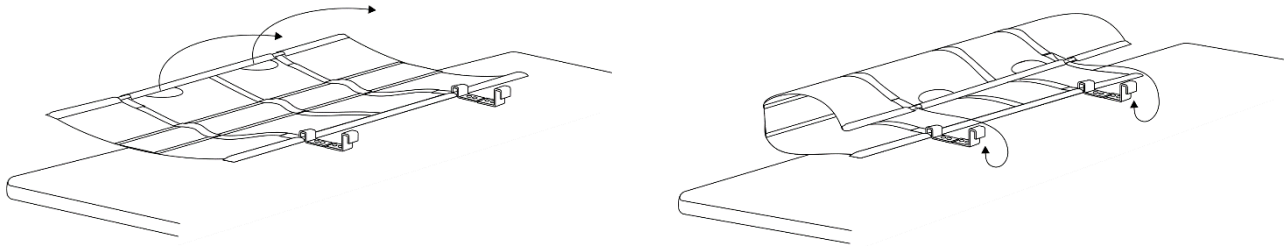
Option 3



Note: The brackets can be attached farther apart (Option 2) or closer together (Option 3) depending on space requirements on the underside of the work surface.

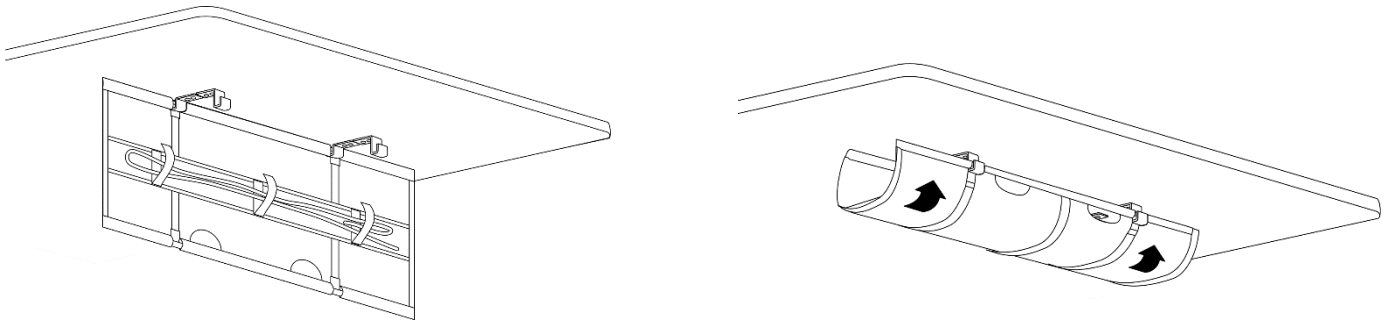
upCentric Mesh Cable Management | Installation Instructions

Step 3: Before flipping your table over and using your upCentric Mesh Cable Management, check the alignment of the brackets to ensure you installed them correctly.



Using your new upCentric Mesh Cable Management

With the upCentric Mesh Cable Management now hanging open, use the straps to fasten any wires and cords running to, from or along the underside of your work surface. Close the mesh cable management by hooking the aluminum rod onto the open bracket.



If you need assistance

Please contact ergoCentric:

- Phone: 1 866 GET ERGO (438-3746)
- Email: service@ergocentric.com